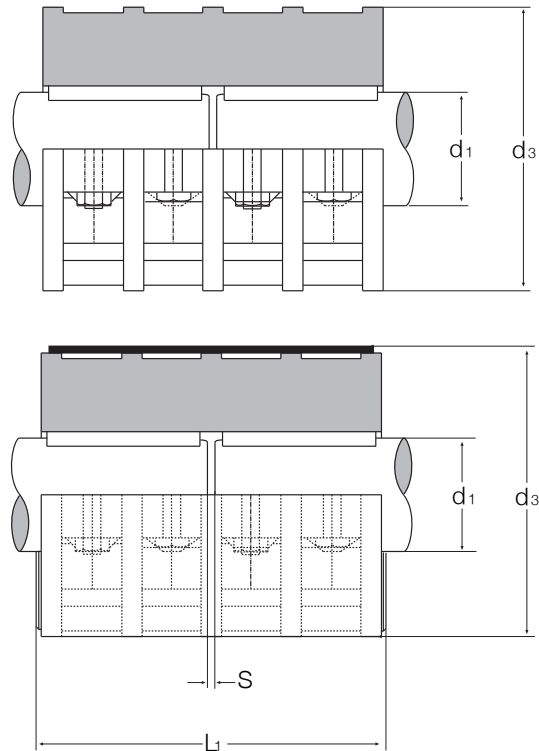
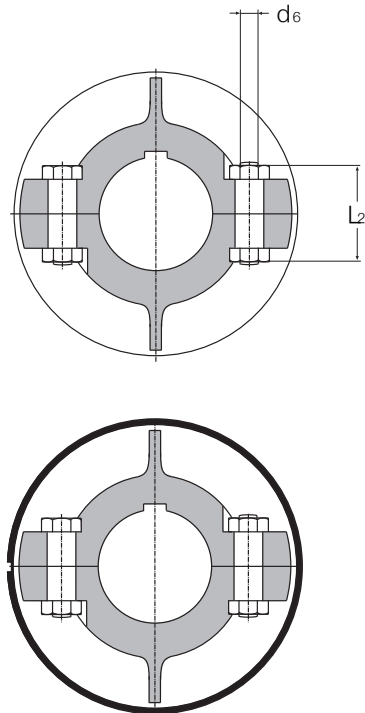


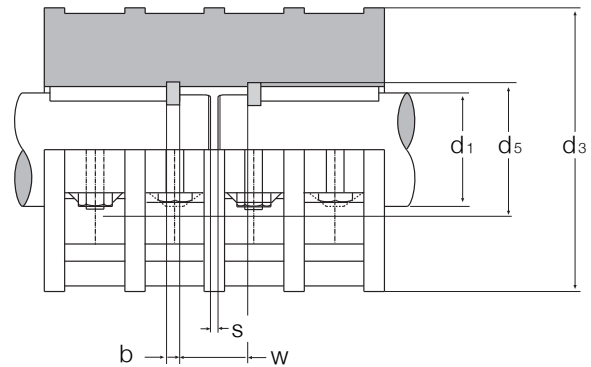
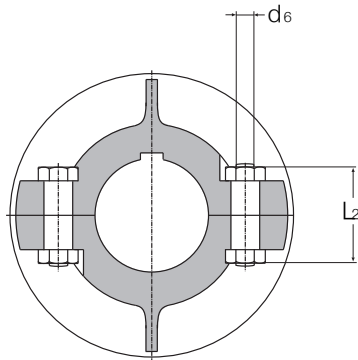
SCHALENKUPPLUNGEN nach DIN 115



Form A
Form AS



| Größe= Bohrung | Werkstoff GG | | | | | Werkstoff GS | | | | | Sechskantschr. DIN-EN24014 (DIN931) | | Pass- feder Länge | Hänge- feder Axial Belastung max. kN |
|-------------------|--------------|----------|------------------------|---------------------------------------|-----------------------|---------------|------------------------|---------------------------------------|-----------------------|---------------|---|----------|-------------------------|--|
| | d1 | Toleranz | T _{max} Nm | P _{max} min ⁻¹ | J kgm ² | Gewicht kg | T _{max} Nm | P _{max} min ⁻¹ | J kgm ² | Gewicht kg | d ³ /l | Anzahl | | |
| 20 | V7 | 25 | 1700 | 0,00093 | 1,9 | 63 | 1700 | 0,0010 | 2,1 | 85/100 | 4 | M 10x30 | - | - |
| 25 | V7 | 40 | 1500 | 0,0034 | 4,5 | 100 | 1500 | 0,0037 | 4,9 | 100/130 | 4 | M 12x40 | - | 5 |
| 30 | V7 | 60 | 1500 | 0,0034 | 4,2 | 160 | 1500 | 0,0036 | 4,2 | 100/130 | 4 | M 12x40 | - | 5 |
| 35 | V7 | 80 | 1420 | 0,0066 | 6,5 | 200 | 1420 | 0,0071 | 7,0 | 110/160 | 6 | M 12x50 | - | 8 |
| 40 | V7 | 100 | 1420 | 0,0065 | 6,2 | 250 | 1420 | 0,0070 | 6,7 | 110/160 | 6 | M 12x50 | - | 12 |
| 45 | V7 | 125 | 1350 | 0,0110 | 8,5 | 315 | 1350 | 0,0120 | 9,2 | 120/190 | 6 | M 12x50 | - | 16 |
| 50 | V7 | 150 | 1300 | 0,0140 | 9,0 | 400 | 1300 | 0,0160 | 9,7 | 130/190 | 6 | M 12x50 | - | 16 |
| 55 | U7 | 500 | 1200 | 0,0260 | 13,0 | 1600 | 1200 | 0,0280 | 14,0 | 150/220 | 6 | M 12x55 | 100 | 20 |
| 60 | U7 | 850 | 1200 | 0,0250 | 12,5 | 1800 | 1200 | 0,0270 | 13,5 | 150/220 | 6 | M 16x55 | 100 | 24 |
| 65 | U7 | 1250 | 1120 | 0,0510 | 18,5 | 2000 | 1120 | 0,0550 | 20,0 | 170/250 | 6 | M 16x55 | 100 | 24 |
| 70 | U7 | 1700 | 1120 | 0,0500 | 17,0 | 2240 | 1120 | 0,0540 | 18,0 | 170/250 | 6 | M 16x55 | 110 | 30 |
| 75 | U7 | 2000 | 1060 | 0,1070 | 28,0 | 3150 | 1060 | 0,1160 | 30,0 | 190/280 | 8 | M 16x60 | 125 | 37 |
| 80 | U7 | 2500 | 1060 | 0,1060 | 27,0 | 3550 | 1060 | 0,1140 | 29,0 | 190/280 | 8 | M 16x60 | 125 | 37 |
| 90 | U7 | 3800 | 1000 | 0,2030 | 41,0 | 5000 | 1000 | 0,2190 | 44,0 | 215/310 | 8 | M 20x75 | 140 | 42 |
| 100 | U7 | 5400 | 920 | 0,3990 | 63,0 | 8000 | 920 | 0,4310 | 68,0 | 250/350 | 8 | M 20x90 | 160 | 55 |
| 110 | U7 | 7500 | 920 | 0,4670 | 70,0 | 10000 | 920 | 0,5050 | 76,0 | 250/390 | 8 | M 24x90 | 160 | 55 |
| 120 | U7 | 11000 | 870 | 0,7710 | 96,0 | 16000 | 870 | 0,8320 | 104,0 | 275/430 | 10 | M 24x90 | 200 | 70 |
| 125 | U7 | 11000 | 870 | 0,7590 | 93,0 | 16000 | 870 | 0,8200 | 100,0 | 275/430 | 10 | M 24x90 | 200 | 70 |
| 140 | U7 | 15000 | 800 | 1,6300 | 160,0 | 22400 | 800 | 1,7600 | 173,0 | 325/490 | 10 | M 27x110 | 200 | 90 |
| 160 | U7 | 23000 | 750 | 2,8400 | 255,0 | 31500 | 750 | 3,0700 | 275,0 | 365/560 | 12 | M 27x110 | 250 | 110 |
| 180 | U7 | 32000 | 690 | 5,4200 | 320,0 | 40000 | 690 | 5,8600 | 346,0 | 420/630 | 12 | M 27x130 | 280 | - |
| 200 | U7 | 40000 | 630 | 12,0200 | 550,0 | 56000 | 630 | 12,9800 | 594,0 | 500/700 | 12 | M 30x140 | 320 | - |
| 220 | U7 | 50000 | 580 | 30,7800 | 840,0 | 80000 | 580 | 33,2400 | 907,0 | 540/770 | 12 | M 36x150 | 360 | - |



| Größe= Bohrung | Werkstoff GG | | | | | Werkstoff GS | | | | | Sechskantschr. DIN-EN24014 (DIN931) | | Pass- feder Länge | Hänge- feder Axial Belastung max. kN |
|-------------------|--------------|----------|------------------------|--------------------------------------|-----------------------|---------------|------------------------|--------------------------------------|-----------------------|---------------|---|----------|-------------------------|--|
| | d 1 | Toleranz | T _{max} Nm | P _{max} min ¹ | J kgm ² | Gewicht kg | T _{max} Nm | P _{max} min ¹ | J kgm ² | Gewicht kg | d ³ /l | Anzahl | | |
| 25 | V 7 | 40 | 1420 | 0,0066 | 7,0 | 100 | 1420 | 0,0071 | 7,5 | 110/160 | 6 | M 12x50 | 56 | 12 |
| 30 | V 7 | 60 | 1420 | 0,0065 | 6,8 | 160 | 1420 | 0,0070 | 7,3 | 110/160 | 6 | M 12x50 | 56 | 17 |
| 35 | V 7 | 80 | 1350 | 0,0110 | 9,3 | 200 | 1350 | 0,0120 | 10,0 | 120/190 | 6 | M 12x50 | 70 | 23 |
| 40 | V 7 | 100 | 1300 | 0,0140 | 9,9 | 250 | 1300 | 0,0160 | 10,7 | 130/190 | 6 | M 12x50 | 70 | 30 |
| 45 | V 7 | 125 | 1200 | 0,0260 | 14,2 | 315 | 1200 | 0,0280 | 15,3 | 150/220 | 6 | M 16x55 | 80 | 36 |
| 50 | V 7 | 150 | 1200 | 0,0250 | 13,8 | 400 | 1200 | 0,0270 | 14,8 | 150/220 | 6 | M 16x55 | 80 | 45 |
| 55 | U 7 | 500 | 1120 | 0,0510 | 20,1 | 1600 | 1120 | 0,0550 | 21,6 | 170/250 | 6 | M 16x55 | 90 | 53 |
| 60 | U 7 | 850 | 1120 | 0,0500 | 18,7 | 1800 | 1120 | 0,0540 | 20,1 | 170/250 | 6 | M 16x55 | 90 | 62 |
| 65 | U 7 | 1250 | 1060 | 0,1070 | 30,0 | 2000 | 1060 | 0,1160 | 32,3 | 190/280 | 8 | M 16x60 | 100 | 72 |
| 70 | U 7 | 1700 | 1060 | 0,1060 | 29,2 | 2240 | 1060 | 0,1140 | 31,4 | 190/280 | 8 | M 16x60 | 100 | 82 |
| 75 | U 7 | 2000 | 1000 | 0,2030 | 45,1 | 3150 | 1000 | 0,2190 | 48,5 | 215/310 | 8 | M 20x75 | 110 | 92 |
| 80 | U 7 | 2500 | 1000 | 0,2030 | 43,7 | 3550 | 1000 | 0,2190 | 47,0 | 215/310 | 8 | M 20x75 | 110 | 105 |
| 90 | U 7 | 3800 | 920 | 0,3990 | 66,4 | 5000 | 920 | 0,4310 | 71,4 | 250/350 | 8 | M 20x90 | 125 | 135 |
| 100 | U 7 | 5400 | 920 | 0,4670 | 74,3 | 8000 | 920 | 0,5050 | 79,9 | 250/390 | 8 | M 24x90 | 140 | 165 |
| 110 | U 7 | 7500 | 870 | 0,7710 | 101,0 | 10000 | 870 | 0,8320 | 108,7 | 275/430 | 10 | M 24x90 | 160 | 200 |
| 120 | U 7 | 11000 | 800 | 1,6300 | 173,5 | 16000 | 800 | 1,7600 | 186,7 | 325/490 | 10 | M 27x110 | 180 | 250 |
| 125 | U 7 | 11000 | 800 | 1,6300 | 170,1 | 16000 | 800 | 1,7600 | 183,0 | 325/490 | 10 | M 27x110 | 180 | 250 |
| 140 | U 7 | 15000 | 750 | 2,8400 | 272,5 | 22400 | 750 | 3,0700 | 293,2 | 365/560 | 12 | M 27x110 | 200 | 310 |
| 160 | U 7 | 23000 | 690 | 5,4200 | 342,4 | 31500 | 690 | 5,8600 | 386,4 | 420/630 | 12 | M 27x130 | 220 | 400 |
| 180 | U 7 | 32000 | 630 | 12,0200 | 577,0 | 40000 | 630 | 12,9800 | 620,8 | 500/700 | 12 | M 27x140 | 250 | 500 |
| 200 | U 7 | 40000 | 580 | 30,7800 | 871,8 | 56000 | 580 | 33,2400 | 937,9 | 540/770 | 13 | M 36x150 | 280 | 600 |